

AlertNET SX-2015

Automation Response Processor

automated alert & response

DESCRIPTION

The AlertNET SX 2015 platform consists of a primary embedded logic controller, managing site specific safety and efficiency requirements. A central communications bank with individual card options, including paging, cell-phone / sms, digital and Tetra radio, GSM and radio-based lone worker. Also includes pre-recorded radio and public-address announcements, remote-control telemetry and a power-supply with auto-revert to battery with mains fail alarm messaging.

AlertNET's data interface can link directly with SCADA, DCS and PLC based systems. AlertNET is compatible with most addressable Fire & Gas detection systems, or can be customised to interface with any data protocol including OSIsoft's PI historian software.

BlueBox AlertNET is scalable and can adapt to your ever changing operational and safety requirements.

FEATURES

- Automated & manual team notification
- Fire, gas, process and building alarm messaging
- Customised alert scenarios
- Multi-modal communication options
- Event archive with remote access and removable media
- Remote management
- Modular "plug-able" options
- Fully customisable for your safety and efficiency needs*
- Mains fail battery protection

OPTIONS INCLUDE

- Paging, digital-radio, Tetra-radio, email and SMS
- Public announcements and public information display alerts
- Lone-worker / man-down remote monitoring
- Interfaces with many Fire, Gas, DCS, BMS, SCADA systems



SPECIFICATIONS

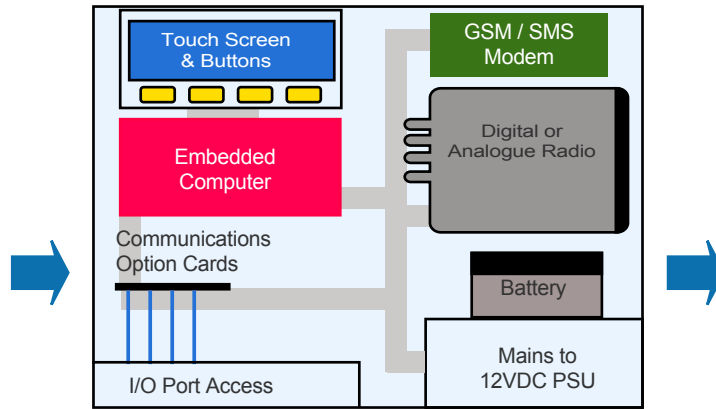
Electrical	
Frequency band options	147-175 & 450-470 Mhz **
Channels / spacing	6.25/12.5/25 kHz
TX output power	0.1 to 25 Watts**
RX sensitivity	-118dBm (12dB SINAD)
Page Protocol	POCSAG / EIA / SDS /
Radio options	Analogue, DMR, Tetra
Power supply	90 - 240vAC or 12VDC
Mains fail to battery duration	4 to 8 Hours
Alarm Inputs	8 onboard (Expandable)
Digital Outputs	8 onboard (Expandable)
Interface Ports	RS232-485, I/O, TCP/IP
Supported Protocols	Many: available on request
Mechanical	
Dimensions SX-C	42 by 37 by 10 Cm
Operating temperature	-5 to +50 °C
Housing	Powder coated steel
TCP/IP port	1 by RJ45
RS232 ports	4 with screw terminals
User Interface	10.1 inch Touch Screen
AC input connector	IEC or clamped cable

* BlueBox is fully customisable, only the options and features you require will be included.

** dependant on options requested, a licence may be required, please request a separate data sheet for the radio module.

Interface Options

- Fire, gas, safety alarms
- Process Alarms, Building Systems Tunnel management.
- Emergency call-out consoles
- GSM Lone-worker / Man-down
- Radio Lone-worker / Man-down
- Panic / threat alert devices
- PI System Software
- Plant and machinery
- SCADA /DCS/ PLC



Notification Options

- Pagers
- Cell-phone SMS
- LED text displays (wired or wireless)
- Conventional & Digital Radio
- Radio telemetry
- Remote access control
- Public Address / FM Radio
- Email alert
- Plant Shut-down

DESCRIPTION

Fig 2:Block Diagram

The AlertNET SX is a self-contained notification and task automation system, not all options listed above would be included in a system, 2 or 3 notification methods are recommended. While AlertNET typically includes its own paging and radio transmission hardware, it can interface with existing legacy paging or radio infrastructure.

PLANNING INFORMATION

When considering a BlueBox AlertNET system, a number of key factors should be considered. Automated alert will require details of fire, gas or process alarm monitoring systems. Also please consider the most appropriate mobile messaging platform to use. At least two methods of notification are recommended. Sigteq can provide a comprehensive questionnaire which covers your current communications and safety infrastructure, also typical hazards and response scenarios. Sites with emergency response crews would benefit from the introduction of a BlueBox system. Sigteq would typically provide an integrated system complete with pagers, radios and communication infrastructure.

USER INTERFACE

BlueBox AlertNET user interface includes a large 10.1 inch touch screen and a set of programmed task control buttons for manual activation of emergency scenarios.

Button scenarios include voice announcements over radios and public address, page and radio messages, remote (radio) control of equipment and plant and machinery. The scenario builder makes AlertNET unique with its sophisticated response task lists pre-configured to automate notification and escalate where necessary.



Fig 3:User Interface

CUSTOM SOLUTIONS

No two facilities operations are the same, most BlueBox installations include a degree of customisation. Sigteq's in-house expertise includes hardware and software design, 3D modelling, printed circuit design, embedded software in C and C++. All aspects of AlertNet are customisable including presentation and branding. And with over 25 years experience in providing emergency communications and mobilisation systems, we offer a one stop shop for your sites emergency response needs. Please call for details.

